

Checklist for retrofit of landing doors „mechanic mod kit“ for side opening doors

Com. number	
No. of elevator	
Number of landing doors	
Number of cabin doors	

Important details:

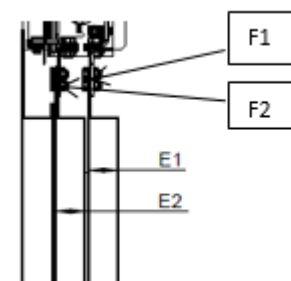
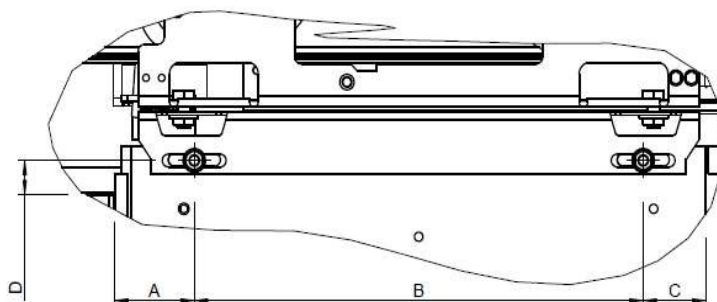
- Door type / company name of old (to replacing) door
- Opening direction to left / right
- Door width in mm 700 / 800 / 900 / 1000
- Door height in mm
- Thickness of fast running door panel E1= mm
- Mounting lag at fast running door panel F1= mm
- Thickness of slow running door panel E2= mm
- Mounting lag at slow running door panel F1= mm
- Thickness of sheet plate (of door panel) d = mm
- Door panel fixation above
 - Distance of fixation points to outside margin A= mm
 - into the direction of closing edge B= mm
 - Distance of fixation points to each other C= mm
 - into the direction of door-opening-side
- Distance of door panels over clear door height D= mm
- Design of frame at the closing edge



without sealing edge/labyrinth,
way from door panel 1 = door width (TB)



with sealing edge/labyrinth,
way from door panel 1 = door width (TB)+ mm



- Unlocking possibility

Version 1 - vertical downwards
version 2 - horizontal in opening direction
Version 3 - from door panel

- Unlocking of lowest landing door from out of the pit necessary? yes / no
- Switch for emergency interlock landing door needed? yes / no
- Doors must fulfill EN81-20, mechanical cabin door interlock? yes / no
- W-LAN Dongle needed for door drive? yes / no
- Precabing of door contacts needed? yes / no
- Existing closing weight usable yes / no

If „no“ - can be used a spring as closing mechanism?
(only at simple sheet metal doors)

If „no“ - how much weight will be used approx.?
(dimensions of old closing weight)

Length/ Width/ height/ Ø / weight

If „no“ - how much space is
actually in the door frame at closing side?

- Please add pictures from:

Existing emergency release

check

Existing closing weight

check

Deflection of existing closing weight

check

Door frame at closing side (from shaft side upper half)

check

Requirements:

Old height of the frame is at least 300 mm high.

check

The door frame is protruding into the shaft of at least 100 mm.

check

The distance between shaft/landing and cabin door is adjustable to 30mm.

check

